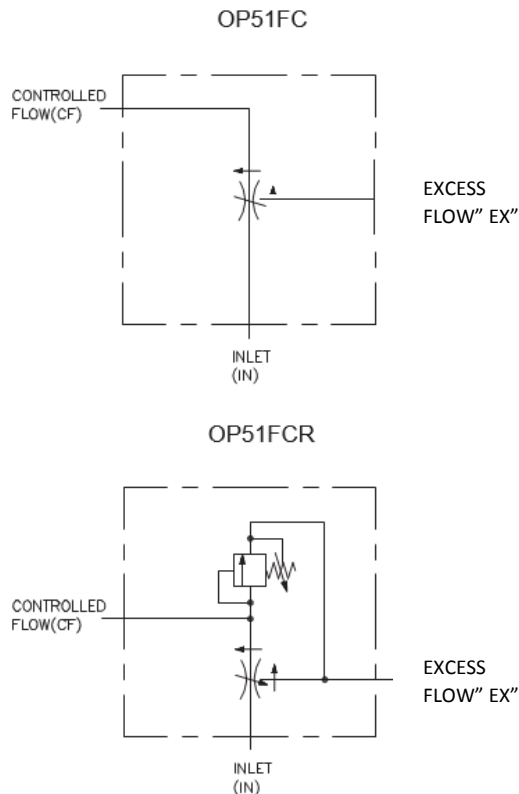


Maximum Flow – 30 us gpm (114l/min)

Maximum Pressure – 3,000 psi (210bar)



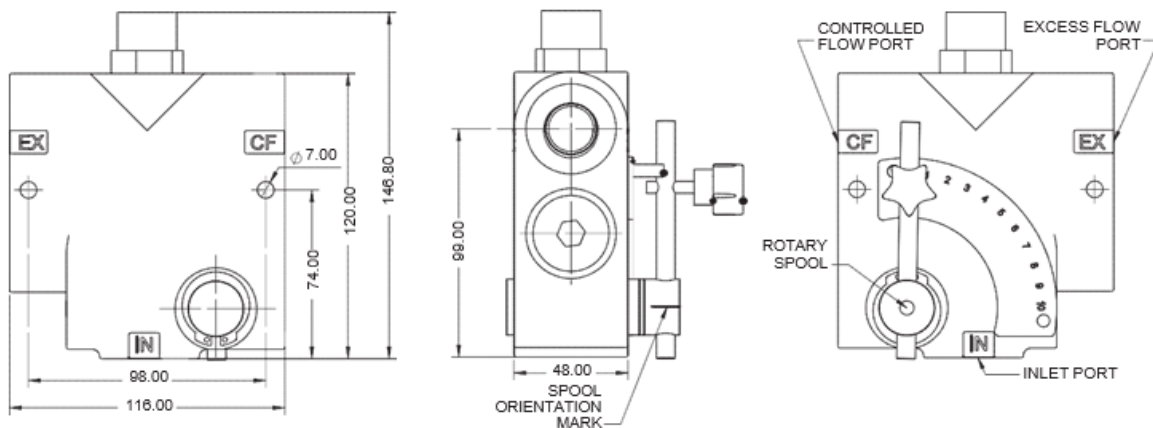
The model OP51FC is a pressure compensated swing arm adjustable flow control valve. By swinging the arm thru 90°, the flow out the CF or controlled low port can be varied within the range given in the specification.

Any remaining flow is bypassed to the EX or excess flow port. This flow can be used to power another circuit or can be returned to tank. Once the controlled flow is set, it will remain nearly constant with variations in pressure on either the controlled or excess flow ports.

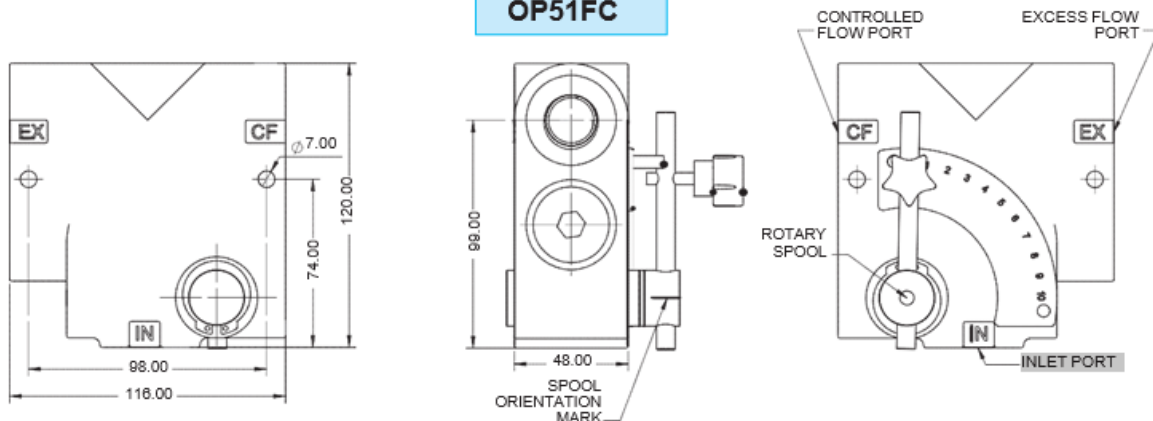
Please note, if during operation the controlled flow port is blocked, then the valve will compensate in such a manner that there will also be no flow at the EX or excess flow port. With no relief valve to protect the flow in the circuit upstream, pump failure and or component damage will occur. If this situation could occur then it is recommended to fit an extra relief valve upstream or use the model OP51FCR valve.

- This valve can also be used as a restrictive flow control by plugging the excess flow port.
- The valve model FCR51 has a built in adjustable pressure relief. For this model, the excess flow port, labelled **(EX)** **must** be connected to tank.
- It should be noted that whenever these or any valve is used to bypass or restrict flow, heat will be generated. Steps may be required to keep system oil temperature from becoming too high.

**OP51FCR**



**OP51FC**



Model No.	Port Thread	Relief Valve	Flow US gpm	Flow l/min	Weight	Part Number
OP51FC- 1/2	1/2" BSPP	No	0 - 16	0 - 60	3.8 kg	FC51-0.5
OP51FC - 3/4	3/4" BSPP	No	0 - 30	0 - 113	3.8 kg	FC51-0.75
OP51FCR - 1/2	1/2" BSPP	Yes	0 - 16	0 - 60	4.0 kg	FCR51-0.5
OP51FCR - 3/4	3/4" BSPP	Yes	0 - 30	0 - 113	4.0 kg	FCR51-0.75