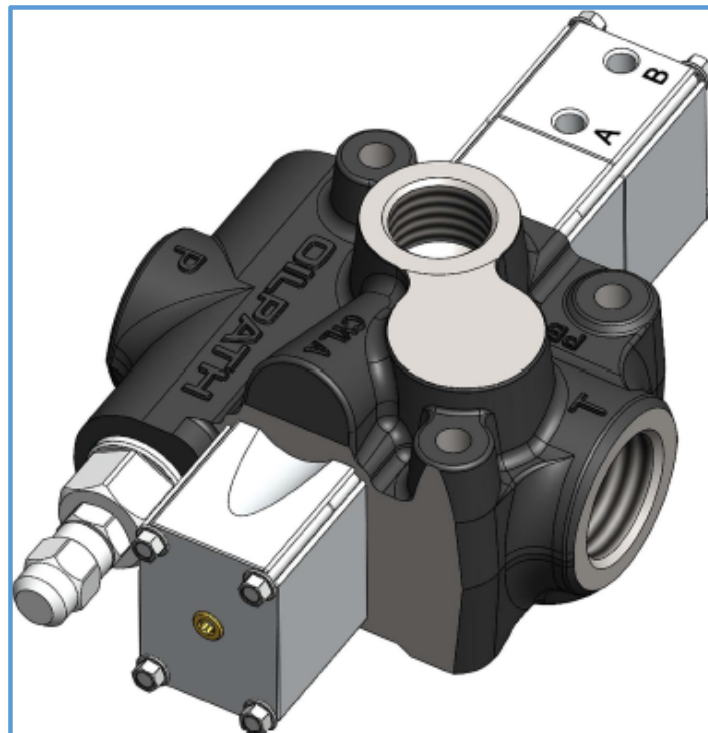
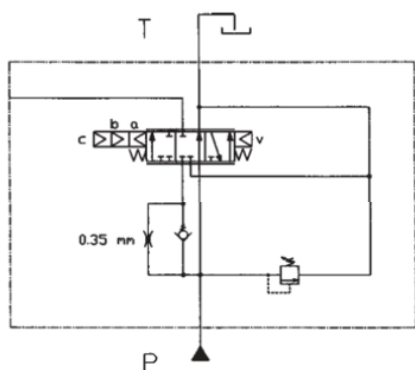


160 L/MIN PNEUMATICALLY OPERATED TRUCK VALVE

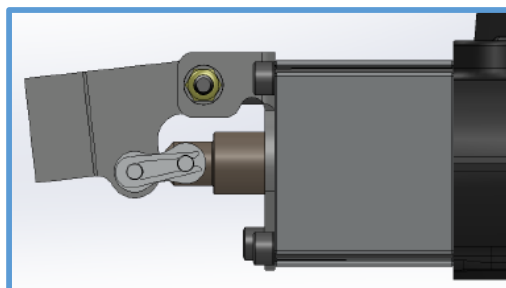
## OP22-1 TIPPER VALVE



- 160 l/min nominal single spool tipper truck valve
- 245bar maximum pressure
- Proportional operation
- Optional HydraForce port relief valve
- Optional pressure switch port or auxiliary port
- 1"BSPP service ports & 1 ¼" BSPP tank port
- Manual Handle option available
- Slow Lowering Option available
- Cast & manufactured in Australia
- Custom designed large internal tank galleries for low pressure drop



Model	Description	List Price
OP221 2000 R3	Standard vale 140 l/min	TBA
OP221 2000 R3 PR	With Port relief Option	TBA
SL	Slow Lowering Option	POA
H	Handle Option Per Spool	POA


**Robust Handle Option**

### OP21 PRESSURE DROP

