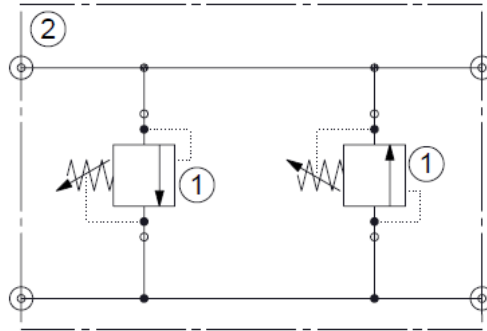


OP115

Cross-Line Relief Valve



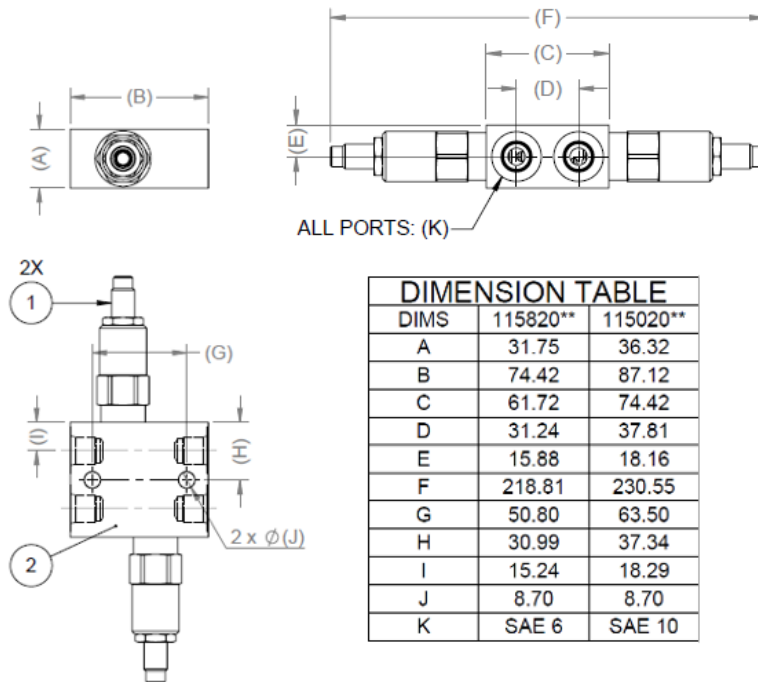
Oilpath OP115 cross line relief valves are designed and manufactured in Australia utilising quality materials and HydraForce relief valve cartridges.

OVERALL SPECIFICATIONS

- Maximum working pressure.....50-210 bar (750-3000 psi)
- Sizes..... 28-113 lpm
- Port Size.....3/8" or 1/2" bspp

MATERIAL SPECIFICATIONS BODY

- BodyHigh tensile aluminium
- Components.....HydraForce Relief Valve Cartridges
- Seals.....See Chart



PART No.	CARTRIDGE	LINE BODY PART NO.	PRESSURE RANGE (PSI)	NOMINAL FLOW	List Price
11582005	RV08-20A-O-N-5	7070160 (ALLOY)	50 - 600	23 l/min	213
11582009	RV08-20A-O-N-9	7070160 (ALLOY)	100 - 1300	23 l/min	213
11582018	RV08-20A-O-N-18	7070160 (ALLOY)	250 - 2600	23 l/min	213
11582033	RV08-20A-O-N-33	7070160 (ALLOY)	250 - 4000	23 l/min	213
11502006	RV10-20A-O-N-6	7070170 (ALLOY)	50 - 600	38 l/min	243
11502012	RV10-20A-O-N-12	7070170 (ALLOY)	150 - 1200	38 l/min	243
11502023	RV10-20A-O-N-23	7070170 (ALLOY)	250 - 2300	38 l/min	243
11502033	RV10-20A-O-N-33	7070170 (ALLOY)	250 - 3300	38 l/min	243
11502604	RV10-26A-O-N-4	7070170 (ALLOY)	100 - 400	113 l/min	264
11502615	RV10-26A-O-N-15	7070170 (ALLOY)	150 - 1500	113 l/min	264
11502630	RV10-26A-O-N-30	7070170 (ALLOY)	400 - 3000	113 l/min	264

For cartridge performace data see HydraForce website @ www.hydraforce.com

