



The OP80 Six Port Valve Series is a manually operated spool type 6-way 2-position selector valve. The high-quality cast-iron valve body is cast in Australia machined at Oilpath's Adelaide facility along with the plated hardened steel spools that have a metering facility that a smooth transition when moving between circuits and the other. The range also includes alternative actuation methods.

OVERALL SPECIFICATIONS

- Maximum working pressure.....210 bar (3000 psi)
- Maximum Casting shock pressure.....840 bar (12,000 psi)
- Rated flow.....118 ltrs/min (100. gpm)

MATERIAL SPECIFICATIONS BODY

- BodyHigh tensile strength Australian cast iron
- Spools.....Hardened steel Electroless Nickel plated
- Seals.....Buna - N

STANDARD FEATURES

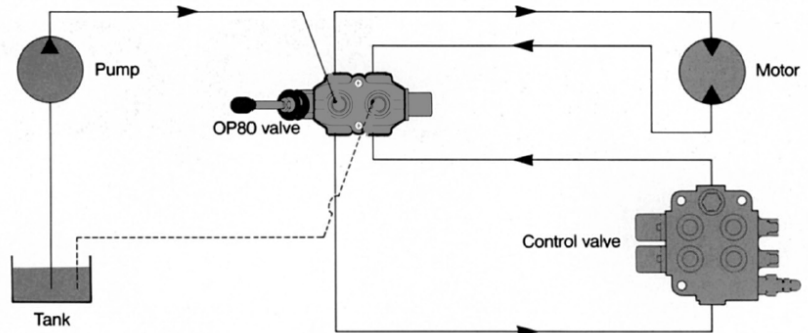
- 3-way 2-position circuit
- 1/2" bspt Ports
- Simple push pull operation with Knob Actuator
- Front inlet port position
- Easily added to an existing OP20 Circuit

OPTIONS

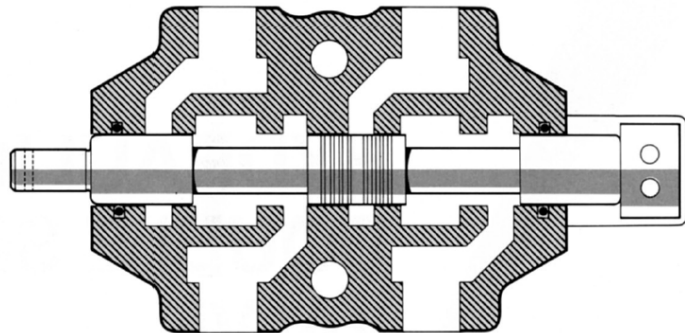
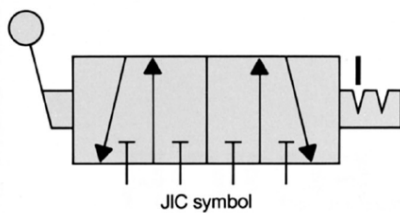
- Handle Operation (OP20 Handle)
- Air Operation
- Detent System
- Spring Offset
- Alternative ports include 7/8" un, 1-1/16" un, 3/4" bspt

Typical application

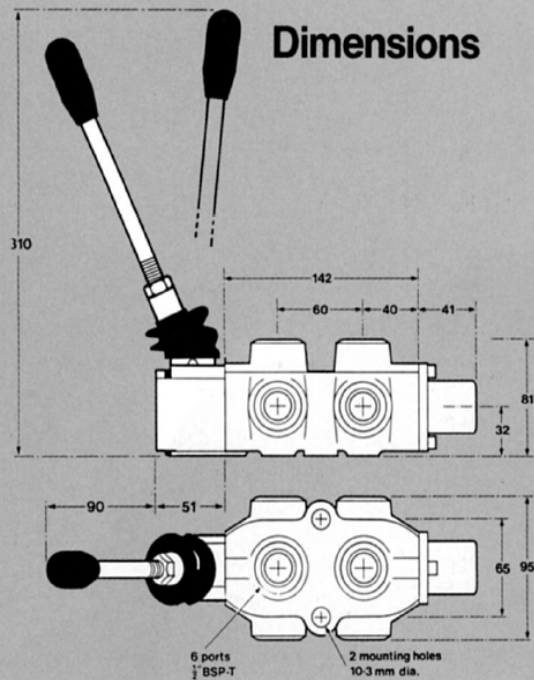
In this circuit OP80 valve is directing hydraulic pressure from pump to either a motor or a control valve.



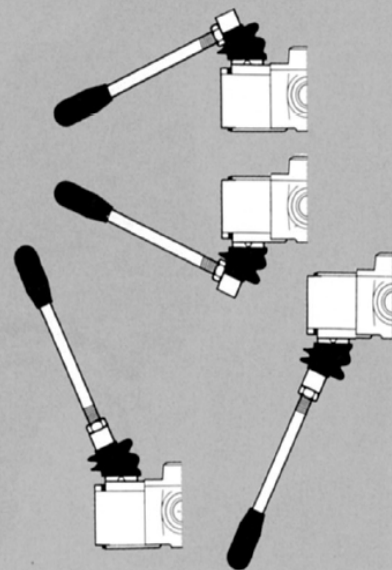
Schematic



Dimensions



Convenient linkage enables easy repositioning of handle



OP80 Six Port Selector Valve Price List

Part Number	Description	List Price
08000001	OP80 1/2"BSPT fitted with 2 position detent and OP20 style handle	373
08001000	OP80 1/2"BSPT K fitted with a black plastic knob (push pull)	322
08063000	Fitted with Air Kit and spring offset kit	461
OP80 Six Options Price List		
Part Number	Description	List Price
MU	Marine use lever box and end cap	98
OP80 Spares Price List		
Part Number	DESCRIPTION	LIST PRICE
512037	Seal kit (Spool O rings)	6
509014	Spring offset kit	40
507002	Detent Kit Complete assembly	117
506044	B1 Air Kit (used with s/off)	148
504502	Handle Lever complete with nut and rubber knob	31