

The OP27 Three Port Valve Series is a manually operated spool type 3-way 2-position selector valve. The high-quality cast-iron valve body is cast in Australia machined at Oilpath's Adelaide facility along with the plated hardened steel spools that have a metering facility that a smooth transition when moving between one circuit and the other. The range also includes alternative actuation methods.

OVERALL SPECIFICATIONS

- Maximum working pressure.....210 bar (3000 psi)
- Maximum Casting shock pressure.....840 bar (12,000 psi)
- Rated flow.....118 ltrs/min (100. gpm)
- MATERIAL SPECIFICATIONS Body.....High tensile strength Australian cast iron
- Spools.....Hardened steel Electroless Nickel plated
- Seals.....Buna - N

STANDARD FEATURES

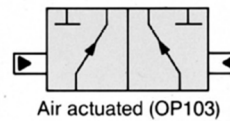
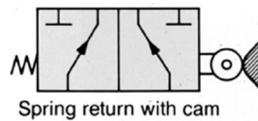
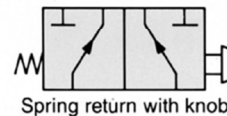
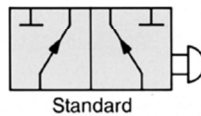
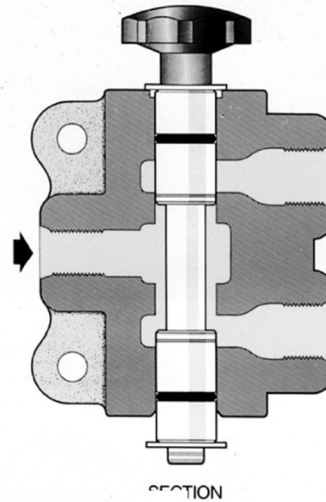
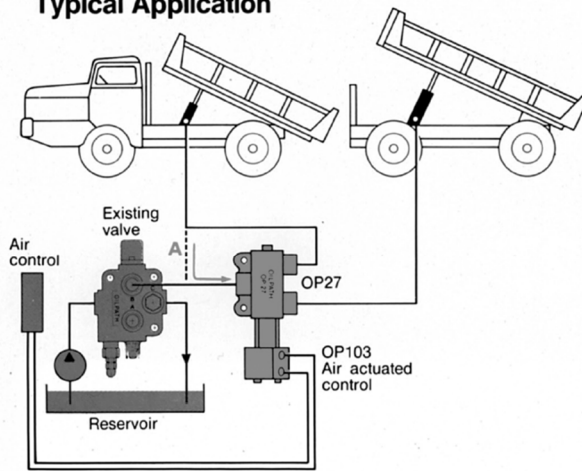
- 3-way 2-position circuit
- 3/4" bspt Ports
- Simple push pull operation with Knob Actuator
- Front inlet port position
- Easily added to an existing OP20 Circuit

OPTIONS

- Handle Operation (OP20 Handle)
- Air Operation
- Detent System
- Spring Offset
- Roller Cam with Spring Offset
- Alternative ports include 7/8"un, 1-1/16"un, 1-5/16"un 1"bspt



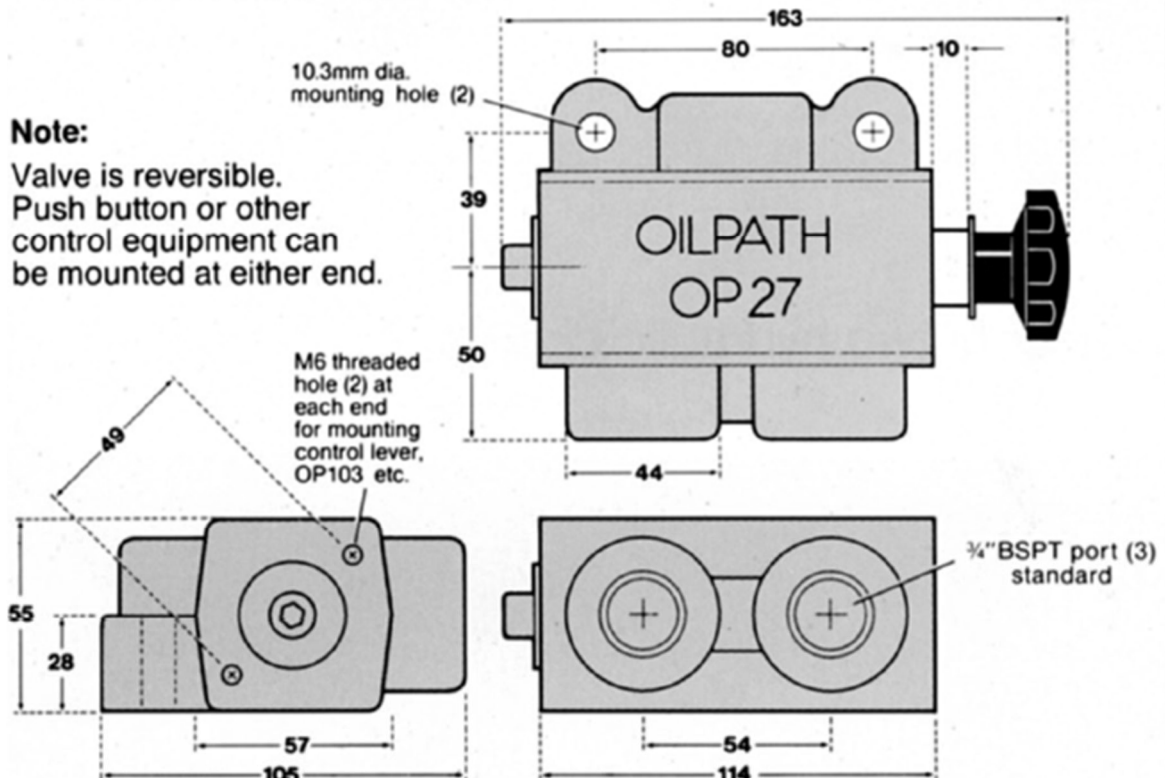
Typical Application



Dimensions

Note:

Valve is reversible.
Push button or other
control equipment can
be mounted at either end.



OP27 Valve Pricing

Part Number	Description	List Price
02700100	3/4" Ports and fitted with a plastic knob	226
02701300	3/4" Ports and fitted with spring offset kit	244
02706002	3/4" Ports and fitted with spring offset kit & new style air kit	358
OP27 Options Pricing		
Code	Description	List Price
H	Handle operated, OP20 style	72
D	Detent	128
P	Plunger Activation Option (must include S/O option)	POA
CR	Cam roller (must include S/O option)	157
OP27 Spares Pricing		
Part Number	DESCRIPTION	LIST PRICE
512036	Seal Kit (Spool O rings)	12
509013	Spring offset kit	42
507017	Detent kit	293
506044	B1 Air Kit (used with s/off)	148
504011	Old handle kit Complete with including handle lever	162
420003	Plastic Knob without washer	42
249001	Spool without knob or washers, plain	145