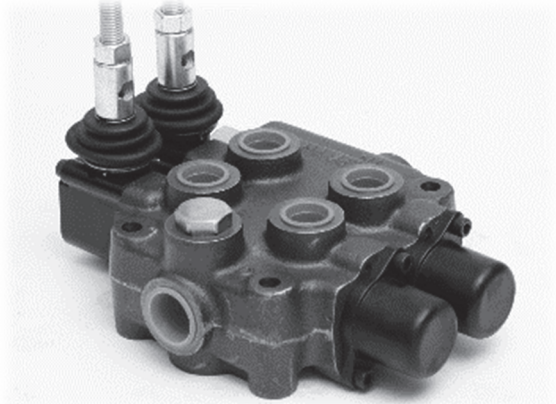


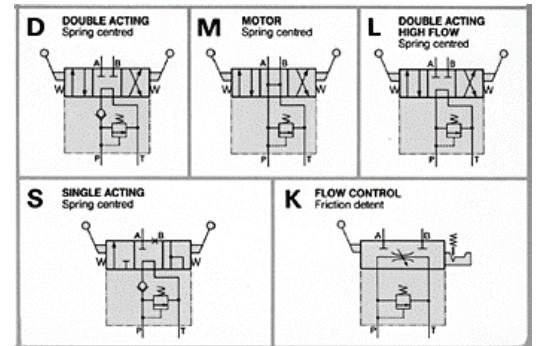
New Development OP20 Upgraded to 120 l/min with 7/8"-un or 3/4" ports

OP20 Monoblock Valve Series

Part No.	No of Spools	Nom Flow l/min	Max Pressure P,A,B	Max Pressure T	Ports (BSPP)	List Price
0201*	1	120	315 bar	25bar	3/4" P,A&B T-1"	\$409
0202*	2					\$604
0203*	3	110				\$814
0204*	4	100				\$1031
0205*	5					\$1285



The OP20 Directional Valve Series provides an 100-120 lpm range of directional valves. The OP20 has the advantage of individual lift drop checks in the end of each valve spool, giving the valve a unique feature and useful feature in having a checks to maintain lift individually for all appropriate valve functions. (e.g. a 5 spool double acting valve has 10 lift drop checks). Closed centre and power beyond are also available with the use of plugs.



STANDARD FEATURES

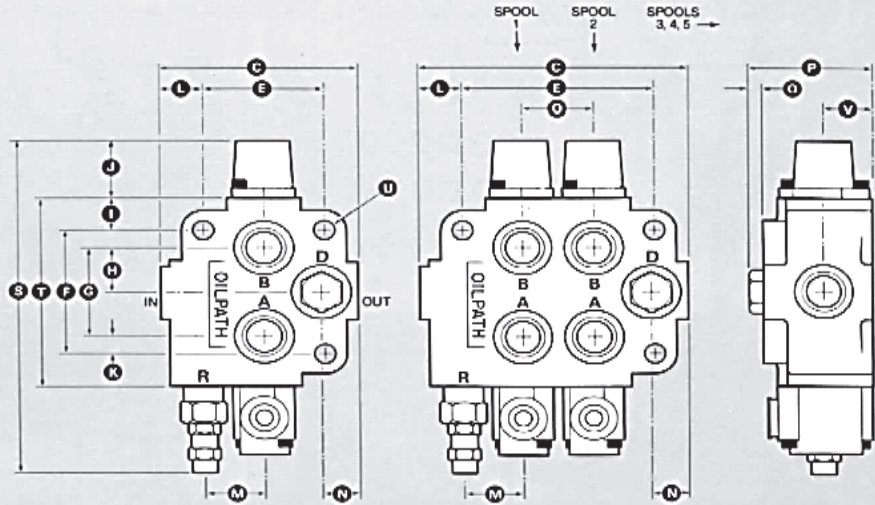
- Parallel circuit
- Integral HydraForce direct acting relief valve, adjustable, factory set at 140 bar
- Optional side/top outlet ports
- 3/4" BSPP, outlet & work ports 1" BSPP tank port (options include 7/8" un, & 1-1/16" un)

OPTIONS

- 2 and 3 position detent & spring centred detent
- Pneumatic spool actuation
- Electric over air
- Marine use preparation
- Restricted detent
- Solenoid operated proportional actuation (see separate sheet)
- Closed circuit & power beyond
- Micro switch actuation on spool shift
- Cable control

New Development OP20 Upgraded to 120 l/min with 7/8"-un or 3/4" ports

Dimensions (to nearest mm)					
Number of spools					
Dim.	1	2	3	4	5
C	129	177	225	273	321
E	79	127	175	223	271
F	89				
G	67				
H	34				
I	27				
J	43				
K	11				
L	27				
M	39				
N	23				
O	48				
P	74				
Q	7				
S	252 (acorn nut closed)				
T	143				
U	Mounting hole 10.3 dia.				
V	33				



C, E; variable dimensions
F - V; fixed dimensions

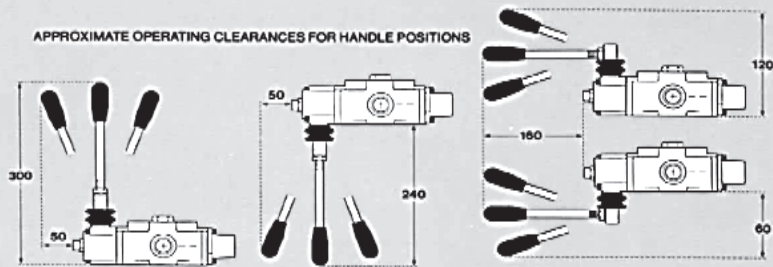
Notes:

- When spool travels into body, port A becomes action. When spool is extended out from neutral, port B is action. This applies to all configurations.
- Port D is alternate outlet. When high pressure carry over is fitted, port D is connected to tank unrestricted.

Specifications given in this brochure are correct at time of publication. The manufacturer reserves the right to change specifications without notice.

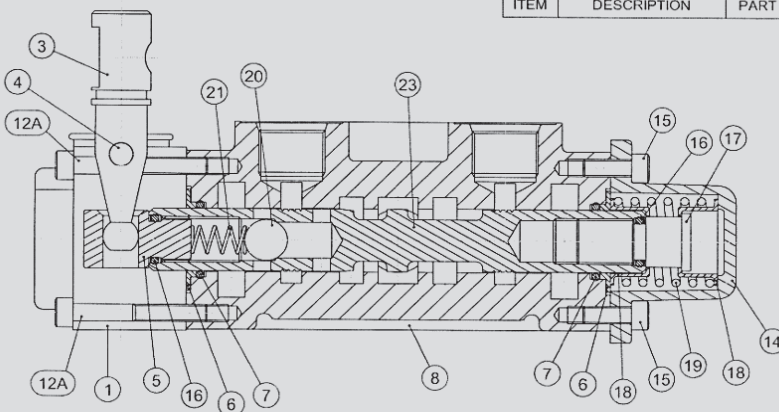
DESIGNED & MANUFACTURED IN AUSTRALIA

APPROXIMATE OPERATING CLEARANCES FOR HANDLE POSITIONS



ITEM	DESCRIPTION	PART NO
25	OP20 L SPOOL	249010
24	OP20 M SPOOL	249008
23	OP20 S SPOOL	249007
22	OP20 D SPOOL	249006
21	S/C SPRING STRONG	416036
20	9/16" STEEL BALL	417002

19	SPRING CENTRE	416013
18	SPRING CAP	248017
17	SPRING STUD	248002
16	O RING BS112	401007
15	M6 x 16 SHCS	415016
14	SPRING CAP	340004
13	DETENT SLEEVE	246004
12A	M6 x 45 SHCS	415011
12	SPRING DETENT	416004
11	Ø1/4" STEEL BALL	417005
10	PISTON DETENT	238005
9	O RING WASHER	251002
8	VALVE BODY OP20	212005
7	O RING BS118	401012
6	STEP WASHER	251001
5	SPOOL EYE	248003
4	PIVOT PIN	236008
3	SHIFT LEG	232002
2	RUBBER BOOT	413001
1	LEVER BOX	230005
ITEM	DESCRIPTION	PART NO



New Development OP20 Upgraded to 120 l/min with 7/8"-un or 3/4" ports

Spool Type		Relief Setting	Options			
D	Double Acting		Specify pressure within a range of 600-4000 psi	PB	High Pressure carry over	D
S	Single Acting	CC		Closed Centre	W	Air Control OP106
M	Motor Control	NR		No Relief	BF	Bottom face Outlet
K	Flow Control not pressure compensated in multi spool vales only	SCDA		Spring centred detent to "A"	SCDB	Spring centred detent to "B"
L	Double Acting Spool with no load checks	H		Handle on auxiliary control e.g. W1H1	HI FLOW	Hi Flow, increasing flow to 120 l/min with 3/4"bspp or 1-1/16" un 3/4"bspt, R2 relief
P	Pressure Compensated Flow Control in multi spool vales only	OP10 6S		Electric over air solenoid control state voltage required e.g. OP106S24V	MU	special plating and hardware for mine or marine use
Please Note: Maximum tank pressure is 250 psi on OP20 valves		REST A		Restricted detent to "A" port	RESTB	Restricted detent to "B" port

OP20D	2000	PB	Single Double acting spool 2000psi relief high pressure carry over
OP20DDS	2500	W123H123	Triple 1 st & 2 nd spool double acting 3 rd spool single acting 2500 psi relief with air and handle operation on all spools
OP20DSSS	1500	SCDB1	Four spool valve 1 st spool double acting spools 2 nd 3 rd & 4 th spools single acting 1500 psi relief with spring centred detent to "B" detent on 1 st spool
OP20DDDDM	3500	SCDB23	Five spool with double acting spools on 1,2,3, & 4 and motor spool on 5 th spool 3500 psi relief spring with 24volt solenoid unloading relief valve