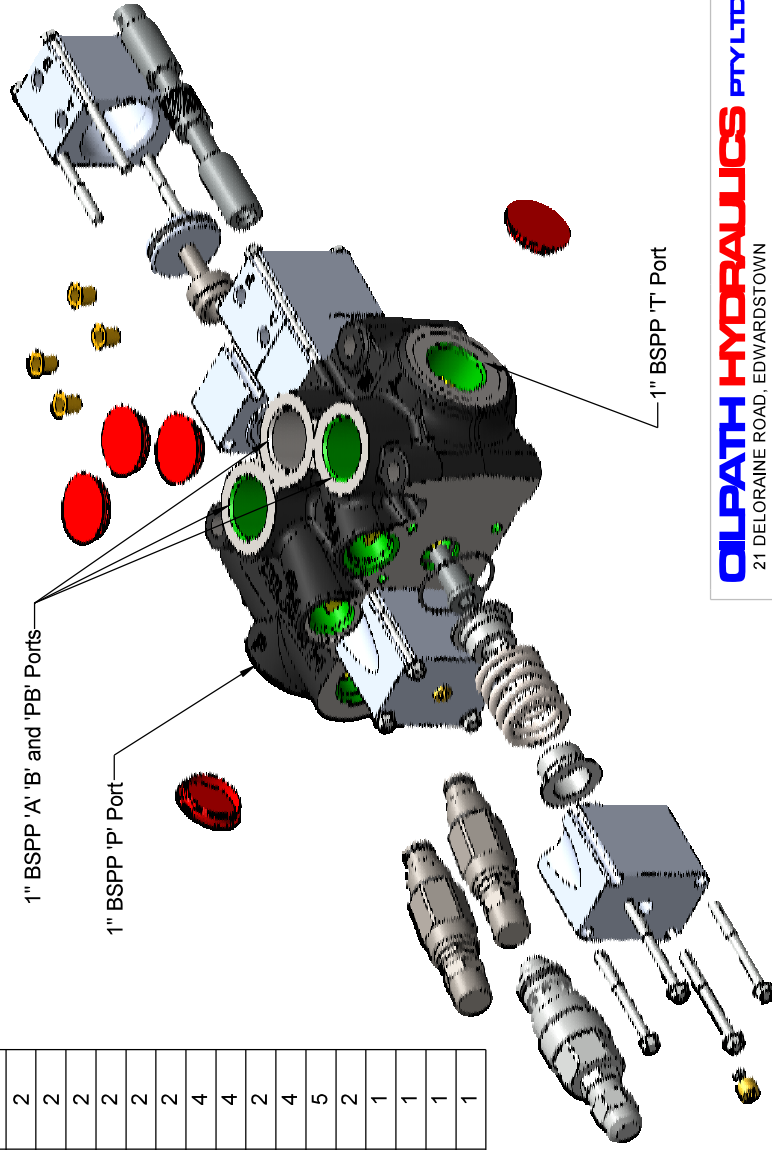


Item No	Part No	Description	Qty.
1	202202	OP22 Body Casting - Oilpath	1
2	249335	Spool - Mini TipX	2
3	250031	Spring Cup - OP22	4
4	505052	1/8" BSPT Breather Valve	2
5	244021	Centre Stud - OP22 Spool	2
6	253161	Housing Extension	2
7	RVD50-20C-0-N-32	Hydrator Cartridge Relief Valve	2
8	253160	Spring Cap - Extruded Aluminium	2
9	416310	Tip X Mini Spring Centre Spring	2
10	415511	M6 x 60 Small Hex Forged Bolt (Grade 4.6)	8
11	415512	M6 x 90 Small Hex Forged Bolt (Grade 4.6)	8
12	505069	R3 Relief Valve	1
13	237028	Piston Rod - OP22	2
14	238080	Air Piston - OP22	2
15	408008	M8 Nut - Stainless Steel Grade 304	2
16	236035	Clevis Pin - OP22	2
17	404002	Wire Circlip - OP103	2
18	401196	BS 125 Nitrile O-Ring	2
19	401113	BS 110 Nitrile O-Ring	2
20	401010	BS 116 Nitrile O-Ring	4
21	401324	BS 029 Nitrile O-Ring	4
22	401493	BS 028 Nitrile O-Ring	2
23	411003	SCP2 Plastic Plug 1/8" BSPT/NPT	4
24	411028	SP310 Plastic Plug for 1" BSPP	5
25	253159	Air Cylinder - Extruded Aluminium	2
26	241059	OP22 Lift Drop Check Poppet	1
27	416022	OP25 Load Check Spring	1
28	401095	BG 910 O-Ring - Nitrile 90 Duro	1
29	240336	OP22 Port Plug	1

Specifications

Maximum Flow Rate: 130 L/m (28.6 g/m) @ 138 bar (2000 psi)

Maximum Working Pressure: 207 bar (3000 psi)



REVISION DETAILS

REV	ECN	DATE	DESCRIPTION
A	-	27-07-12	PRODUCTION
			DESCRIPTION

NOTES

- ALL DIMENSIONS IN mm
- ALL DRILL DEPTHS TO SHOULDER
- BREAK ALL SHARP EDGES

GENERAL TOLERANCE

0.0 = ±0.5mm
0.0 = ±0.25mm
0.00 = ±0.10mm
0.000 = ±0.02mm

0.9/ 0.05

UNLESS OTHERWISE STATED

SCALE: 1:2.5 SHEET 1 OF 3

OILPATH HYDRAULICS PTY LTD
21 DELOIRANE ROAD, EDWARDSTOWN
PH: +61 8 8277 4933 FAX: +61 8 8277 9126 A.B.N. 94 117 925 210

TITLE OP22 Oilpath SS A12 R3 1" BSPP

DRG NO.

02220002

MATL: Various - as individually noted

DRN: IJW

DATE: 27-07-2012

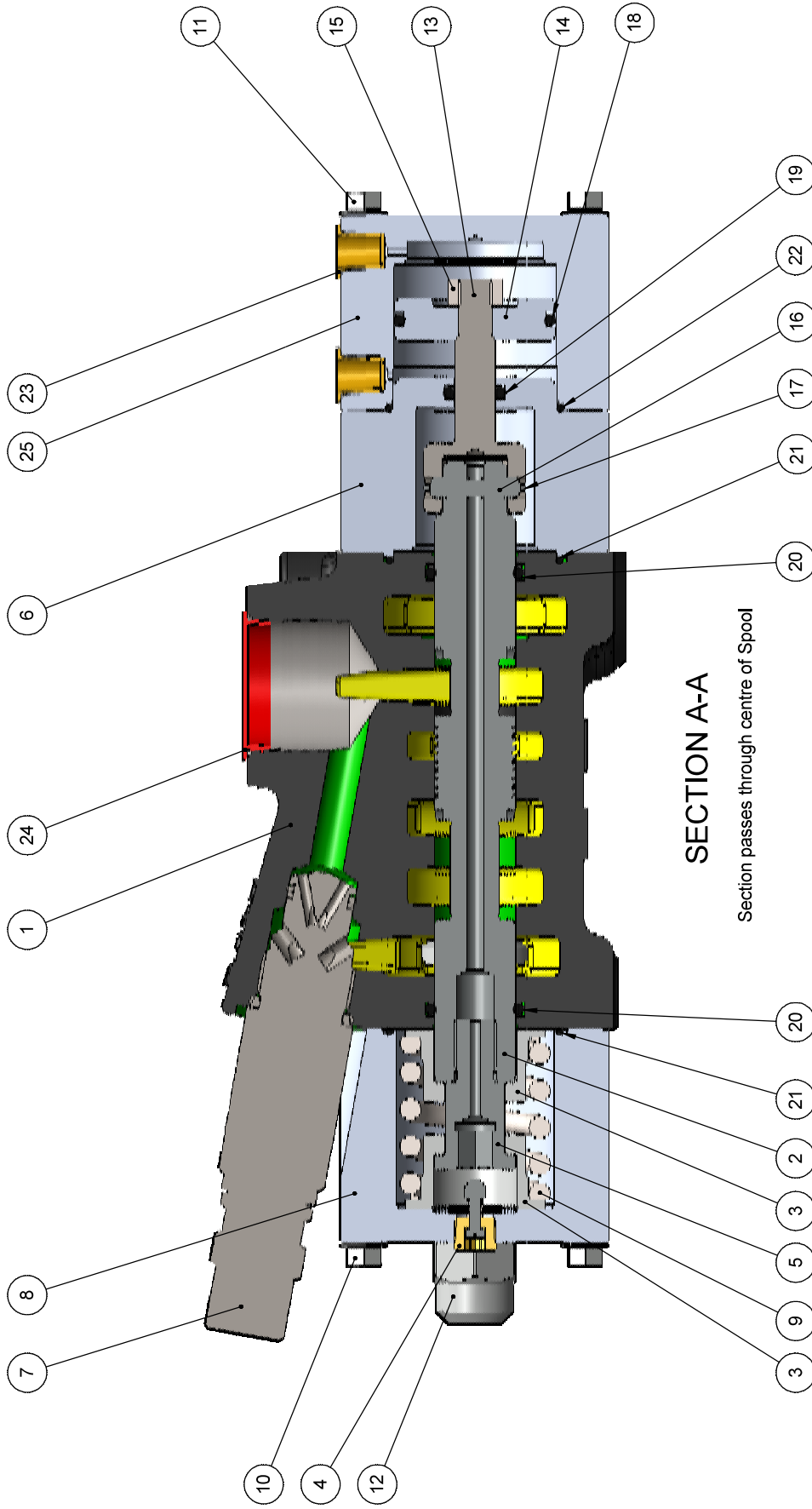
0 REV **A3**

CKD:

DATE:

APP:

DATE:



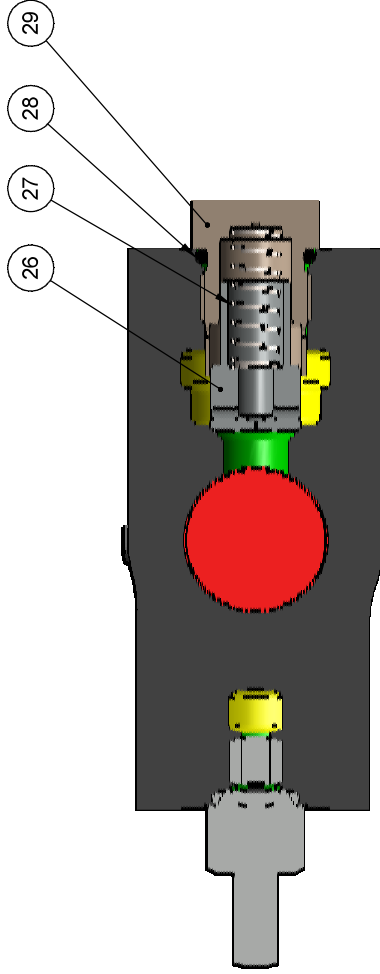
SECTION A-A

Section passes through centre of Spool

Items 1 to 25 are shown on this Sheet
 Items 26 to 29 are shown on Sheet 3

OILPATH HYDRAULICS PTY LTD
 21 DELORRAINE ROAD, EDWARDSTOWN
 PH: +61 8 8277 4933 FAX: +61 8 8277 9126 A.B.N. 94 117 925 210

REVISION DETAILS		NOTES		GENERAL TOLERANCE		TITLE	
		<ul style="list-style-type: none"> • ALL DIMENSIONS IN mm • ALL DRILL DEPTHS TO SHOULDER • BREAK ALL SHARP EDGES 		0,0 = ±0.5mm	OP22 Oilpath SS A12 R3 1" BSPP		DRG NO.
				0,00 = ±0.25mm			MATL: Various - as individually noted
				0,000 = ±0.10mm			DRN: IJW
				0,000 = ±0.02mm			DATE: 27-07-2012
A	-	27-07-12	PRODUCTION	UNLESS OTHERWISE STATED		0 REV	CKD:
REV	ECN	DATE	DESCRIPTION	SCALE: 1:1		A	APP:
				SHEET 2 OF 3			



SECTION B-B

Section passes through centre of Load Check Valve

Items 26 to 29 are shown on this Sheet
 Items 1 to 25 are shown on Sheet 2

OILPATH HYDRAULICS PTY LTD
 21 DELOIRANE ROAD, EDWARDSTOWN
 PH: +61 8 8277 4933 FAX: +61 8 8277 9126 A.B.N. 94 117 925 210

REVISION DETAILS		NOTES		GENERAL TOLERANCE		TITLE	
		<ul style="list-style-type: none"> • ALL DIMENSIONS IN mm • ALL DRILL DEPTHS TO SHOULDER • BREAK ALL SHARP EDGES 		0. = ±0.5mm 0.0 = ±0.25mm 0.00 = ±0.10mm 0.000 = ±0.02mm 0.05/▽		OP22 Oilpath SS A12 R3 1" BSPP	
		UNLESS OTHERWISE STATED		DRG NO. 02220002		MATL: Various - as individually noted	
		SCALE: 1:1 SHEET 3 OF 3		0 REV A3		DRN: IJW DATE: 27-07-2012	
				A		CKD: DATE:	
				A		APP: DATE:	
A	-	27-07-12	PRODUCTION				
REV	ECN	DATE	DESCRIPTION				